

aquatica®

*Function, Form & Fashion*

Install a freestanding bathtub in minutes

No muss. No fuss

No kidding

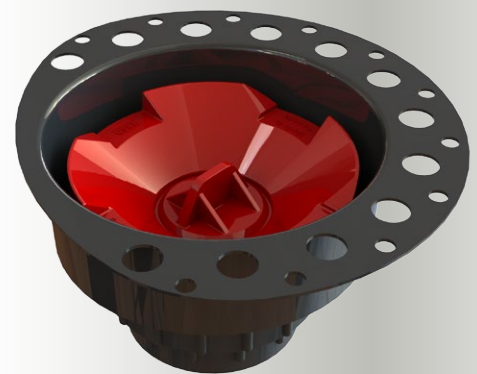
**Your job just got easier**



# Aquatica® Freestanding Bath Installer™

## Installation Manual

USA and CANADA



# Aquatica® Freestanding Bath Installer™

## Certification



### FEATURES

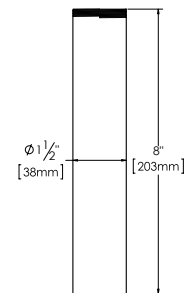
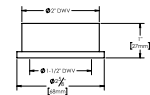
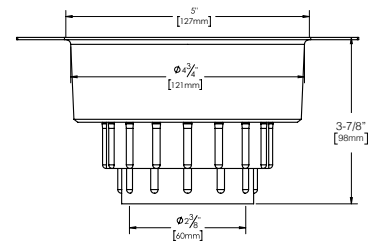
- 18 Gauge Epoxy coated Metal Deck Flange
- Designed to be installed in an 8" joist space
- Can be installed with Waterproofing Membrane (\*bronte™ NobleSeal TS Recommended)
- CSA Certified for Canadian and US markets

### KIT INCLUDES

- 2 Brass Tailpieces (Fine Thread and Flanged)
- Freestanding Bath Installer™ assembly with 1-1/2" DWV ABS tailpiece
- Cutting template

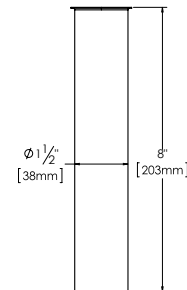
### INSTALLATION TIPS

- Use 5" hole saw to cut sub floor (not included). Cutting template included
- Do not cut the brass Tailpiece as this may cause a leak
- Secure Deck Flange with 6 screws (not included)



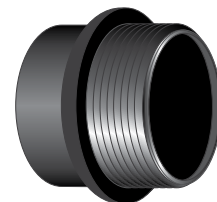
#### Fine Thread Tailpiece

Attaches to 314 Series Direct/Offset Bath Wastes and Integral Bath Wastes.



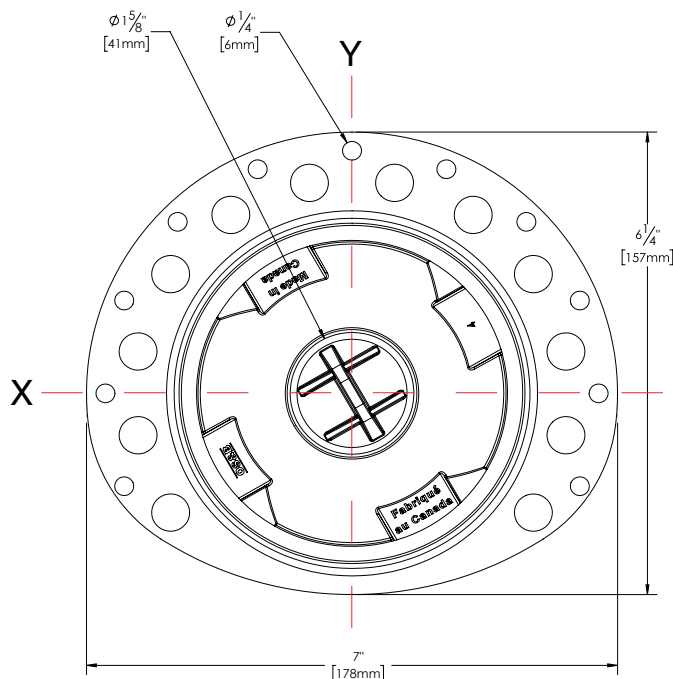
#### Flanged Tailpiece

Attaches to 314DC Series Cable-Drive® Bath Wastes and Integral Bath Wastes.



#### ABS or PVC Adapter Kit

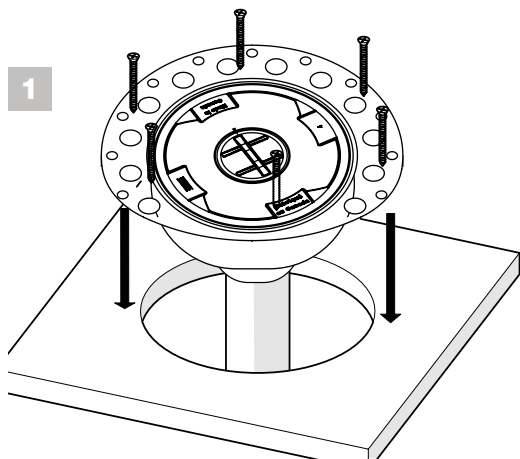
Attaches to ABS or PVC Bath Wastes and includes Brass Nut and Poly Washer.



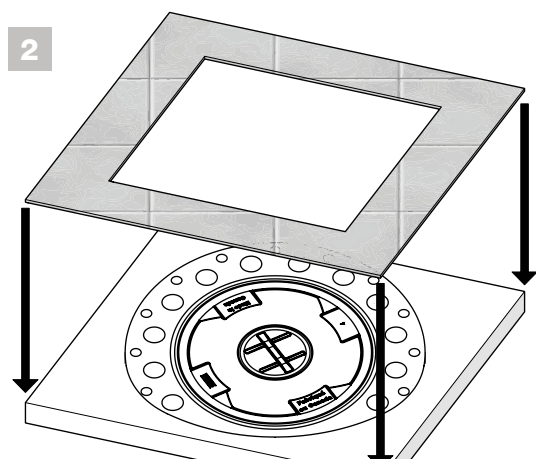


## INSTALLATION INSTRUCTIONS

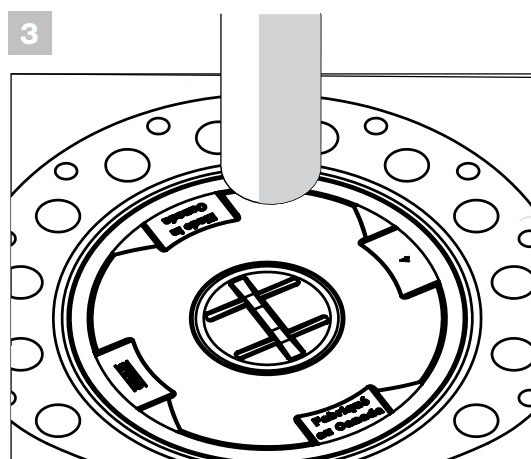
### Attaches to Freestanding Bath W/O



- 1
- A. Cut 5" (12.7cm) hole into wood sub-floor (use supplied Cutout Template).
- B. Measure and cut ABS Tailpiece as necessary to ensure a secure connection to P-Trap below.
- C. Insert Freestanding Bath Installer™ assembly into floor opening and connect to Pipe below.
- D. Affix to sub-floor with 6 screws (not supplied)



- 2
- A. Install flooring surface, leaving a 5" opening to access Drain.
- B. Affix the appropriate brass Tailpiece to the Waste & Overflow. **NOTE: DO NOT CUT THE BRASS TAILPIECE AS THIS MAY CAUSE A LEAK.** Ensure the measurement between the base of the Drain and P-Trap will accommodate the Tailpiece. Other lengths available (contact Aquatica).



- 3
- A. Cut out the Installation Label with a utility knife and remove to expose the Drain.
- B. Apply lubricant (supplied) to the Tailpiece.
- C. Position the Tub and brass Tailpiece in-line with the Drain.
- D. Carefully lower the tub with the installed brass Tailpiece into the Red Collar in Drain assembly. Ensure Tailpiece is fully engaged with Seal.

**IMPORTANT:** Do not remove Installation Label until Step 3.

**DO NOT CUT THE SUPPLIED BRASS TAILPIECE.** Doing so may cause a leak.

Disassembling the drain or cutting the Tailpiece will void the warranty.



aquatica®

Function : Form : Fashion

Certification

